

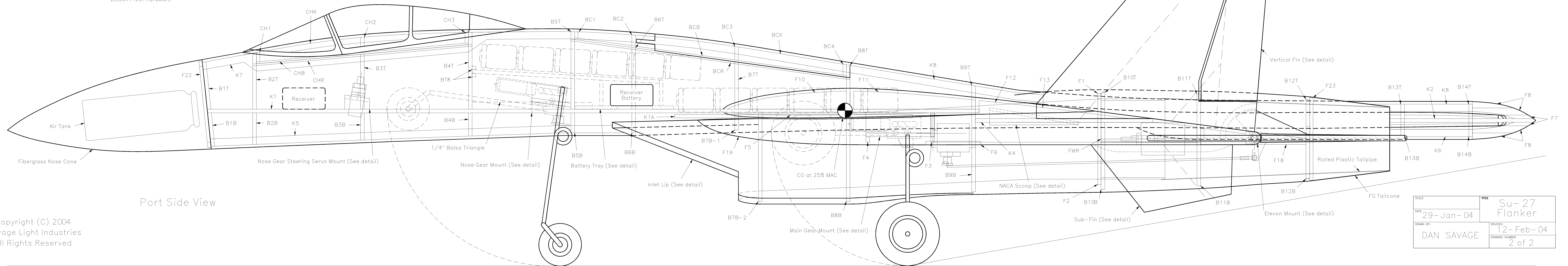
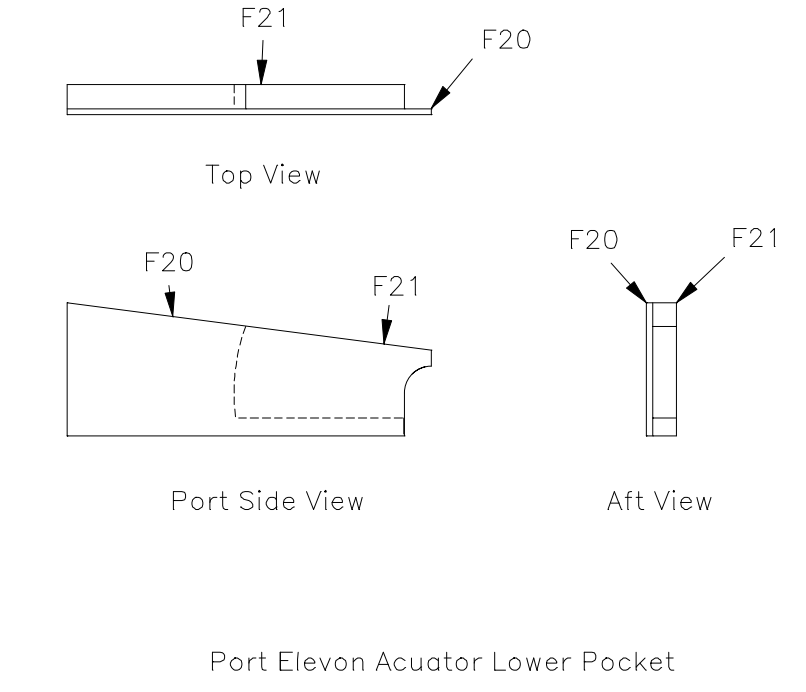
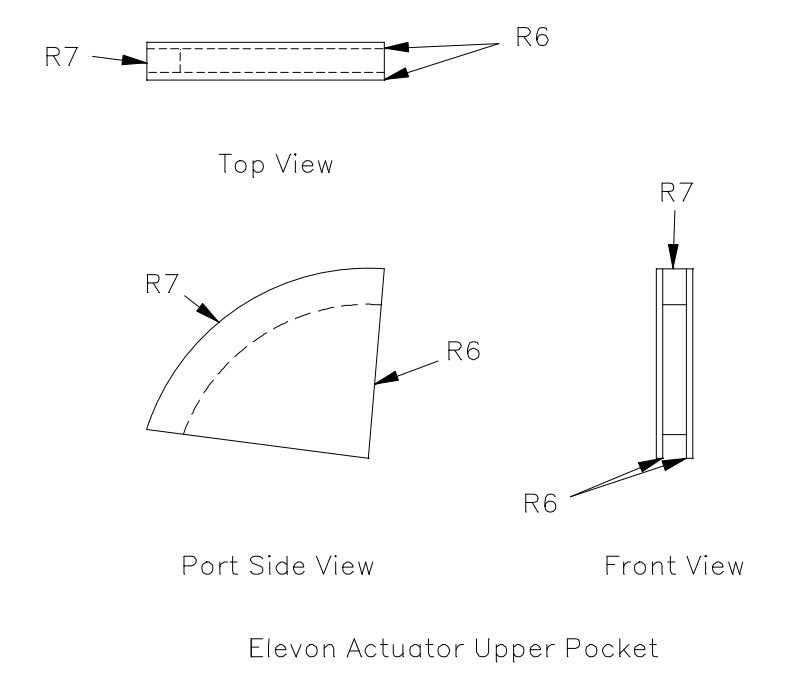
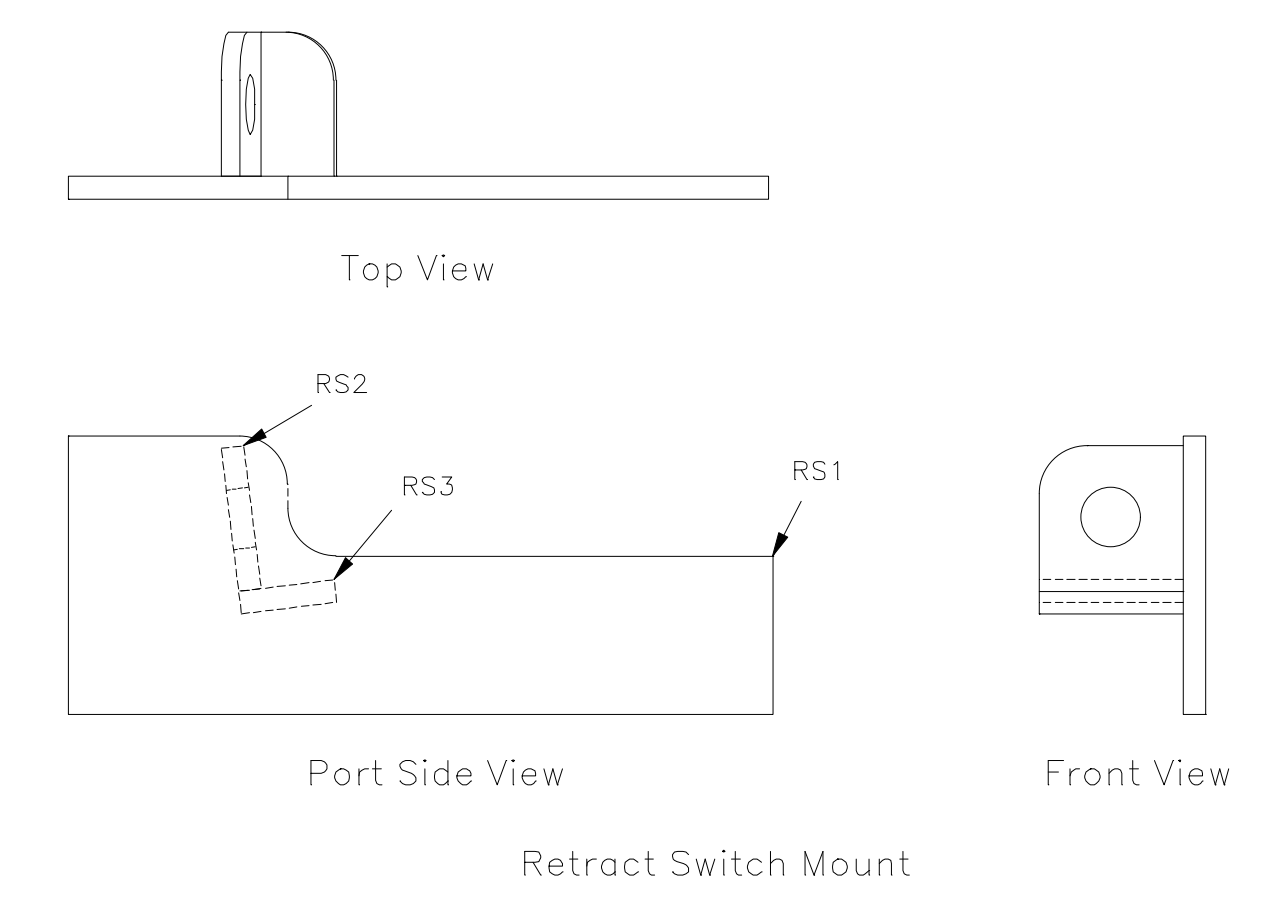
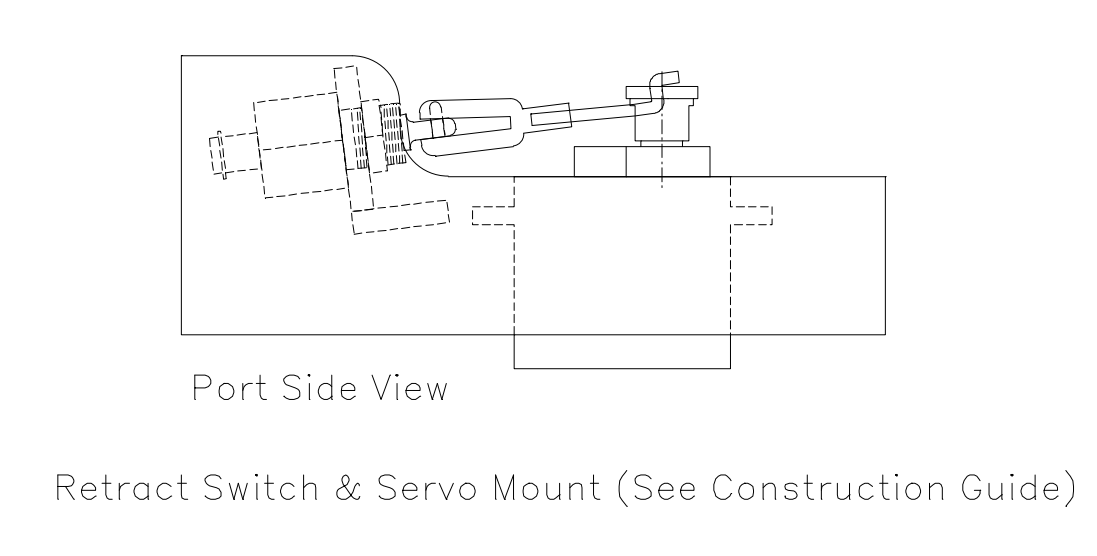
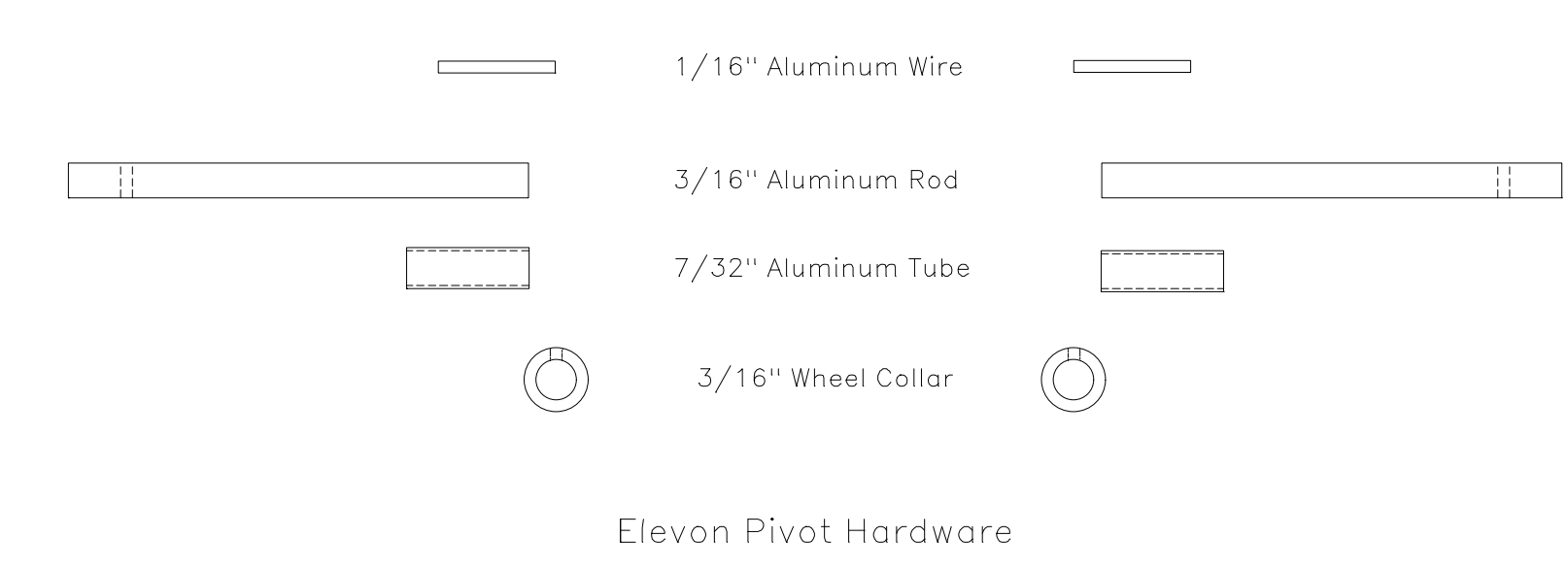
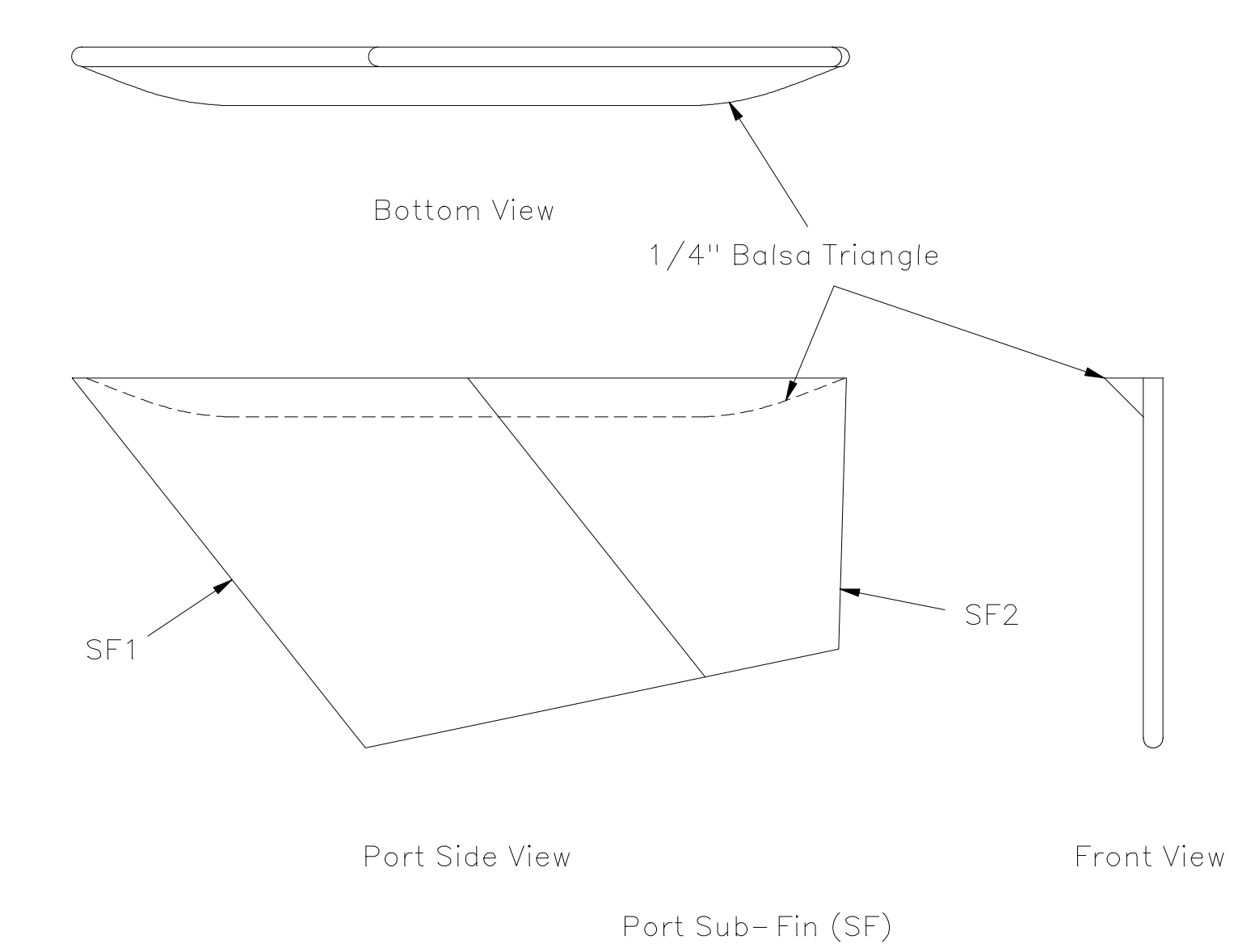
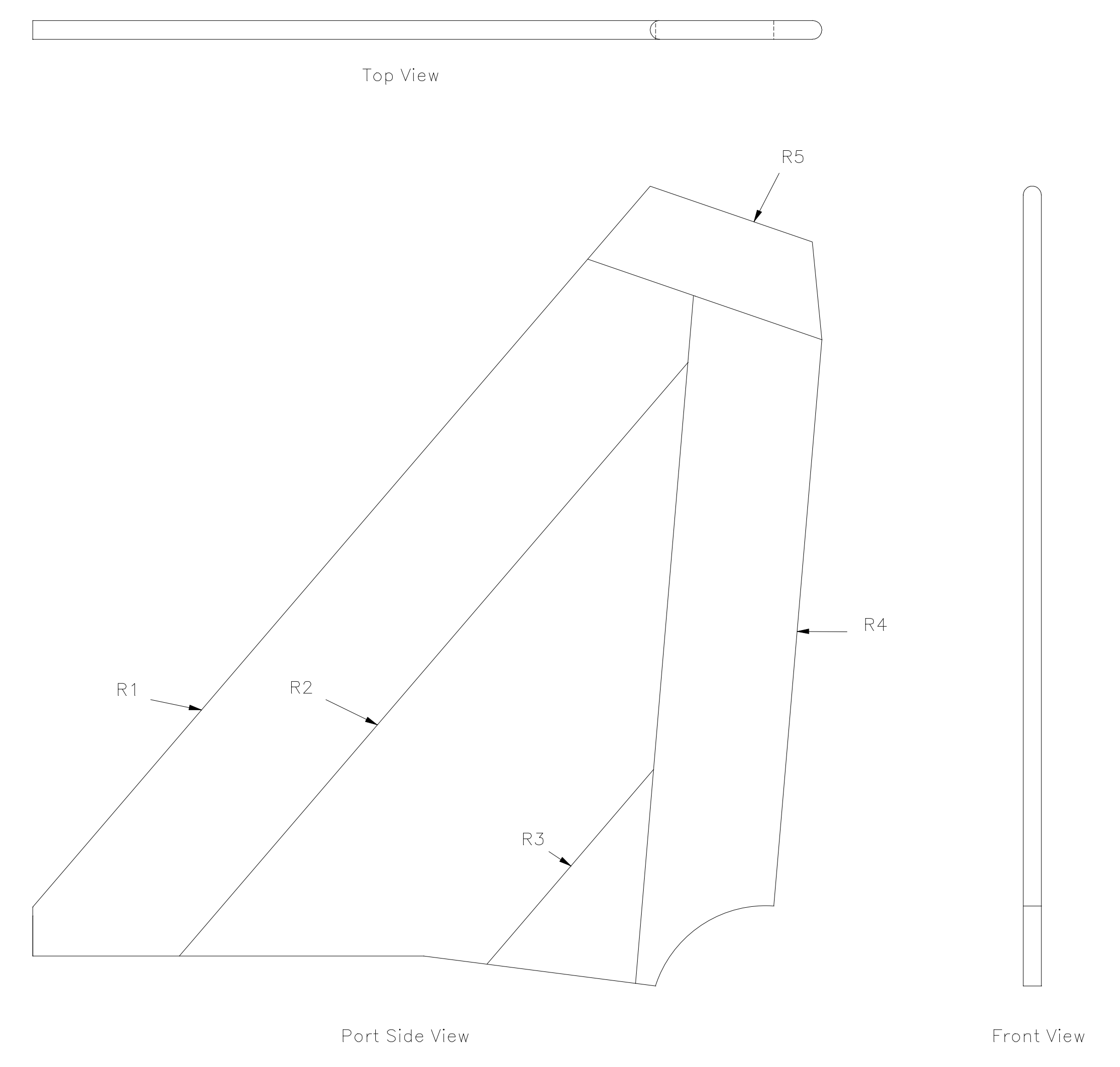
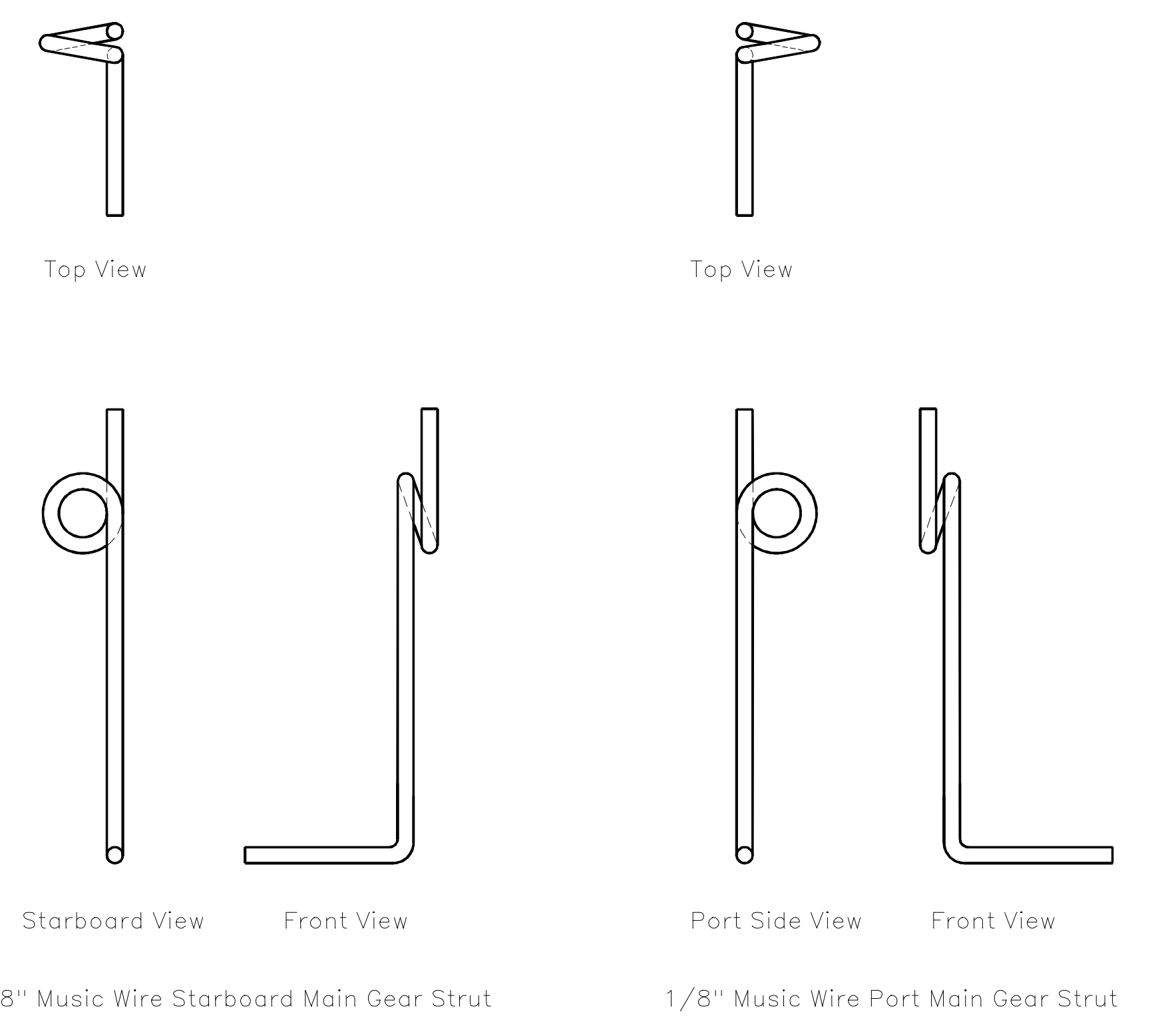
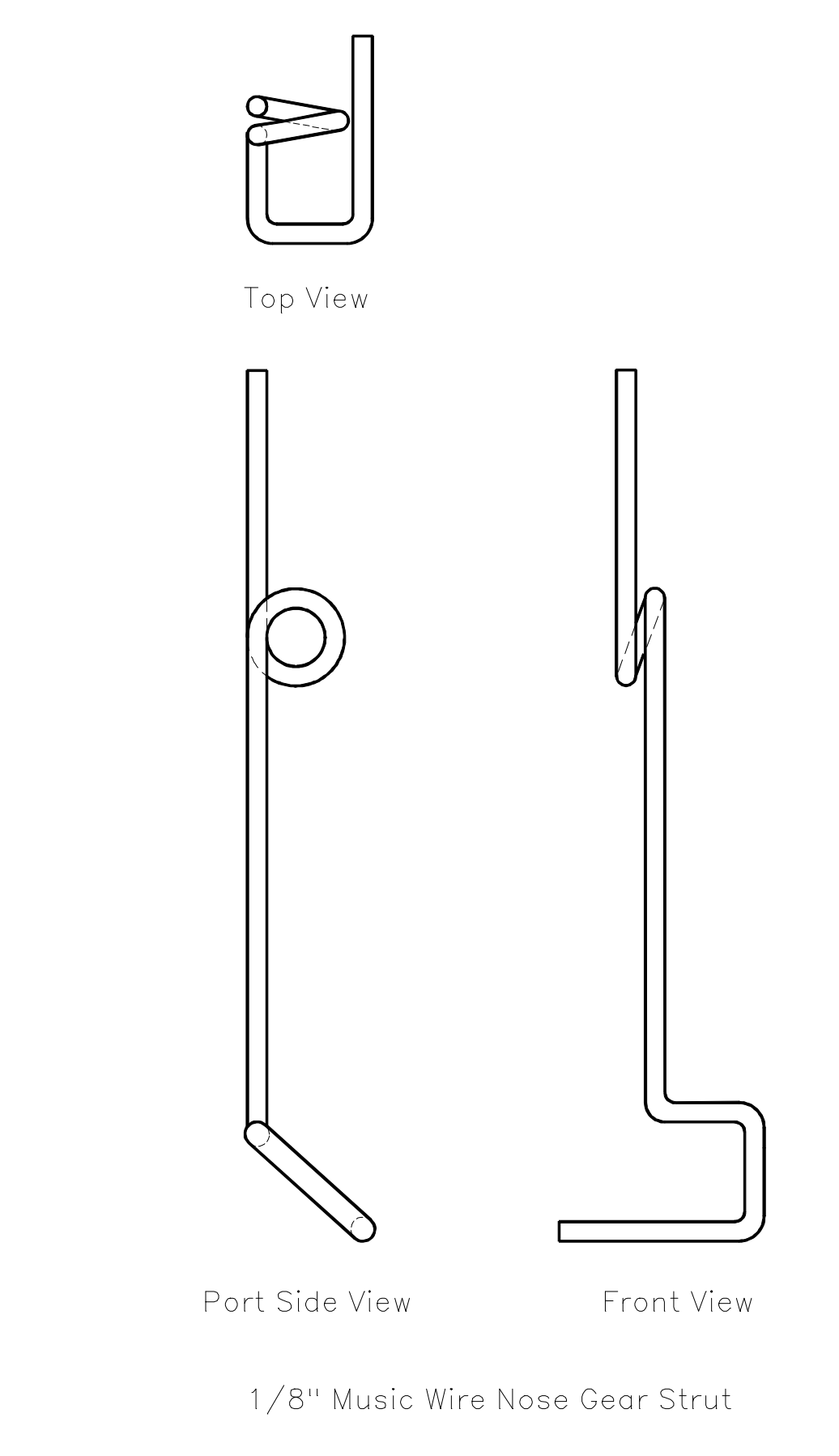
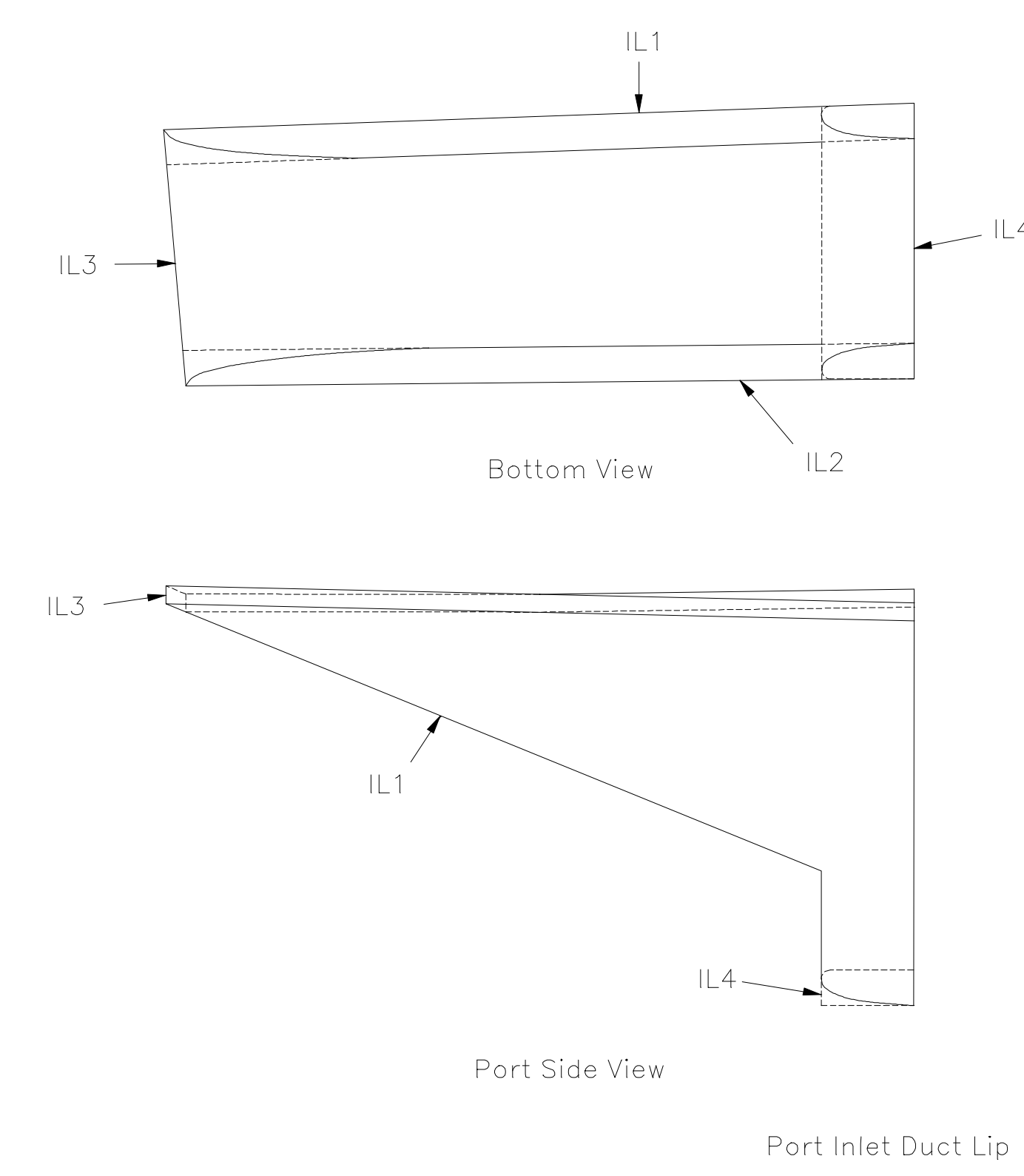
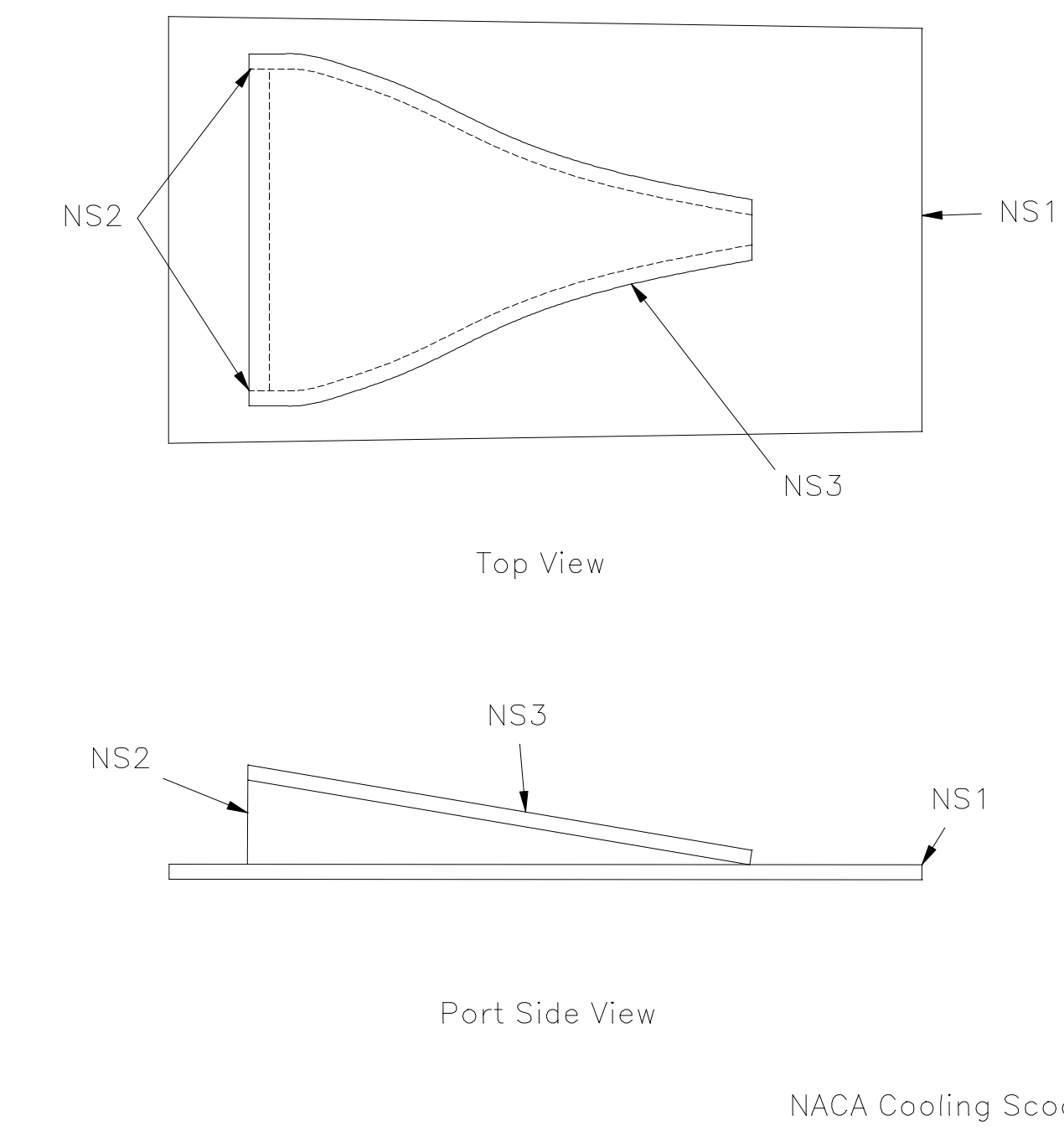
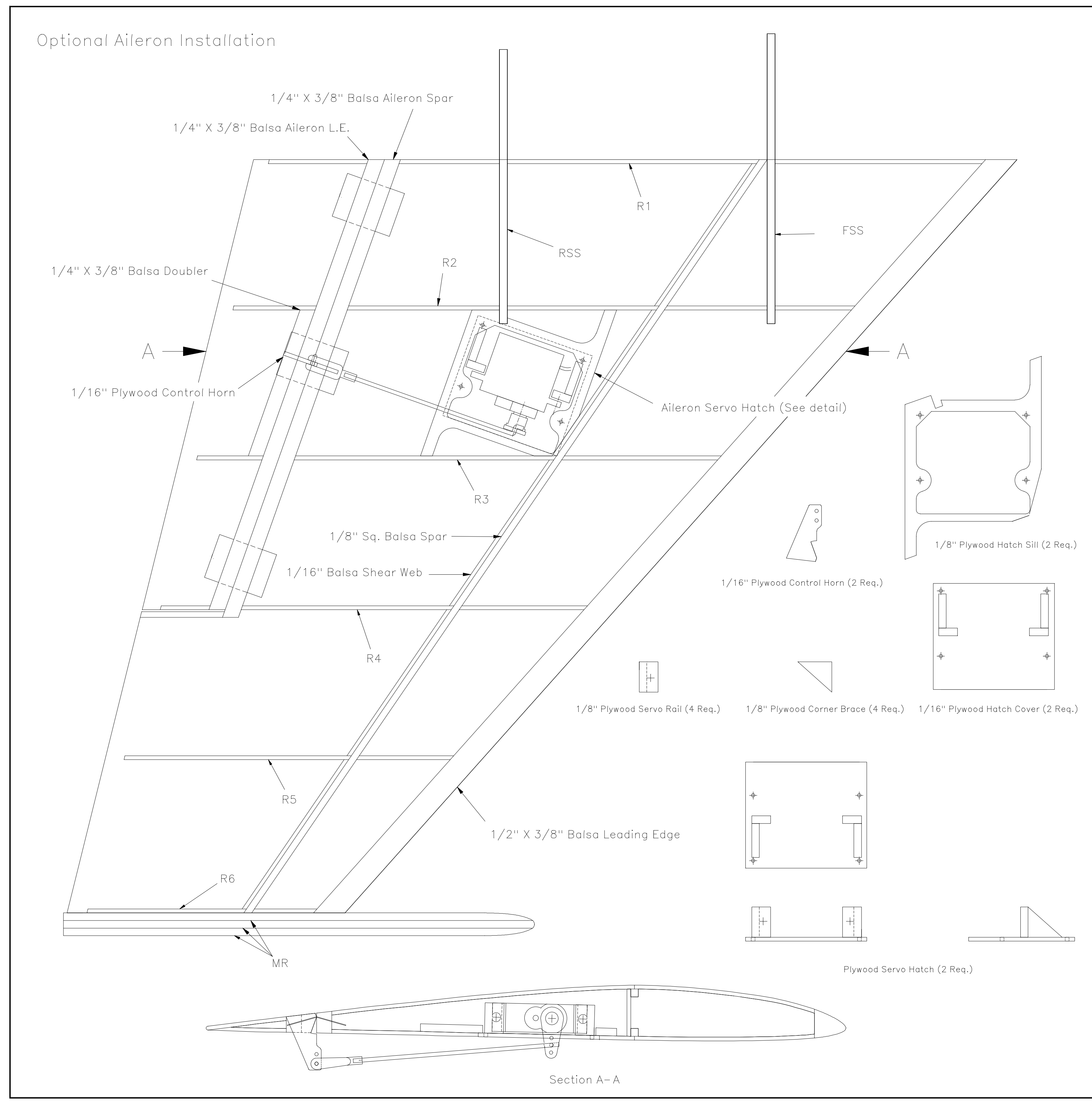
SCALE	1/4\"/>		
DATE	29-Jan-04	DESIGNER	DAN SAVAGE
REVISED	10-Feb-04	DRAWING NUMBER	1 of 2

Copyright (C) 2004
Savage Light Industries
All Rights Reserved

31
30
29
28
27
26
25
24
23
22
21
20
19
18
17
16
15
14
13
12
11
10
9
8
7
6
5
4
3
2
1
0

1 FT
2 FT
3 FT
4 FT

0 1 2 3 4 5 6 7 8 9 10 11 12 13 14 15 16 17 18 19 20 21 22 23 24 25 26 27 28 29 30 31 32 33 34 35 36 37 38 39 40 41 42 43 44 45 46 47 48 49 50 51 52 53 54 55 56



Copyright (C) 2004
Savage Light Industries
All Rights Reserved

SCALE	1/4" = 1'	DATE	29-Jan-04	ISSUED	12-Feb-04
DRAWN BY	DAN SAVAGE	PROJECT	Su-27 Flanker	DRAWING NUMBER	2 of 2

